

PIPE CARRIERS SPC-D70

CE Approved



SPECIFICATIONS

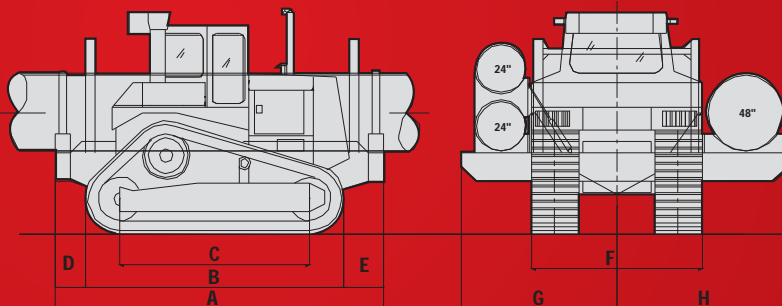
Pipe D. N.	Number Pipes Per Side	Total Pipes Per Tractor	Maximum Wall Thickness
48"	1	2	1" – 25.4 mm
46"	1	2	1" – 25.4 mm
44"	1	2	1" – 25.4 mm
42"	1	2	1" – 25.4 mm
40"	1	2	1" – 25.4 mm
38"	1	2	1" – 25.4 mm
36"	1	2	1" – 25.4 mm
34"	1	2	1" – 25.4 mm
32"	2	4	7/8" – 22 mm
30"	2	4	7/8" – 22 mm
28"	2	4	7/8" – 22 mm
26"	3	6	5/8" – 16 mm
24"	3	6	5/8" – 16 mm

FEATURES

- Carries pipe ranging from 24" to 48"
- Horsepower 171 kW / 230 HP
- Hydraulic operated cradle arms
- Can be made to fit your Caterpillar tractor
- No special hydraulic power source required
- Easy removal and reinstallation
- Based on a Caterpillar D7R Tractor

DIMENSIONS

OPERATING WEIGHT 24,800 kg - 54,560 lb



A	5.74 m / 18.8'
B	4.73 m / 15.5'
C	3.05 m / 10'
D	.5 m / 20 in
E	.5 m / 20 in
F	2.87 m / 9.4'
G	2.35 m / 7.7'
H	2.6 m / 8.5'



CONTACT INFORMATION

Main office – General inquiries **SUPERIOR Manufacturing**

16031 East Freeway
Channelview, TX 77530
U.S.A.
Phone 281.457.4400
Fax 281.452.5455
U.S. Toll Free 800.383.2666
Intl. Toll Free 800.9675.3948
pipeline@wwmach.com
www.worldwidemachinery.com

Italy office **SUPERIOR Manufacturing**

Via Roma, 18
San Pancrazio, Parma
Italy

Evan Greenberg
Vice-President of Intl. Operations

Worldwide offices **Europe and Australia**

Juergen Hafemann
Phone +49.0.231.963.3073 Germany
Phone +61.0.400.144.432 Australia
pipelinece@wwmach.com

India

Abhishek Bhotika
Phone +91.11.414.59230
pipelineind@wwmach.com

Africa

Evan Greenberg
Phone +1.281.452.5800
pipeline@wwmach.com

Russia, China and the Middle East

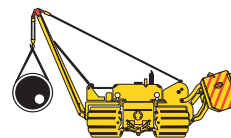
Sergio Braoude
Phone +39.349.198.1281 Italy
Phone +7.495.507.4827 Russia
fsupipeline@wwmach.com

Latin America

Salvador Villasana
Phone +52.81.8.394.0160
pipelinesa@wwmach.com

North America

Rick Layh
Phone +1.281.457.4400
pipelinena@wwmach.com



**WORLDWIDE
MACHINERY
PIPELINE DIVISION**

 **SUPERIOR
MANUFACTURING**

DISCLAIMER

DISCLAIMER

The information contained in this brochure is intended to be of a general nature only. The SUPERIOR Manufacturing Company may at any time and from time to time, for technical or other necessary reasons, modify any of the details or specifications of the product described in this brochure. Illustrations do not necessarily show products in standard conditions. The dimensions, weights and capacities shown herein, as well as any conversion data used, are approximate only and are subject to variations within normal manufacturing techniques.